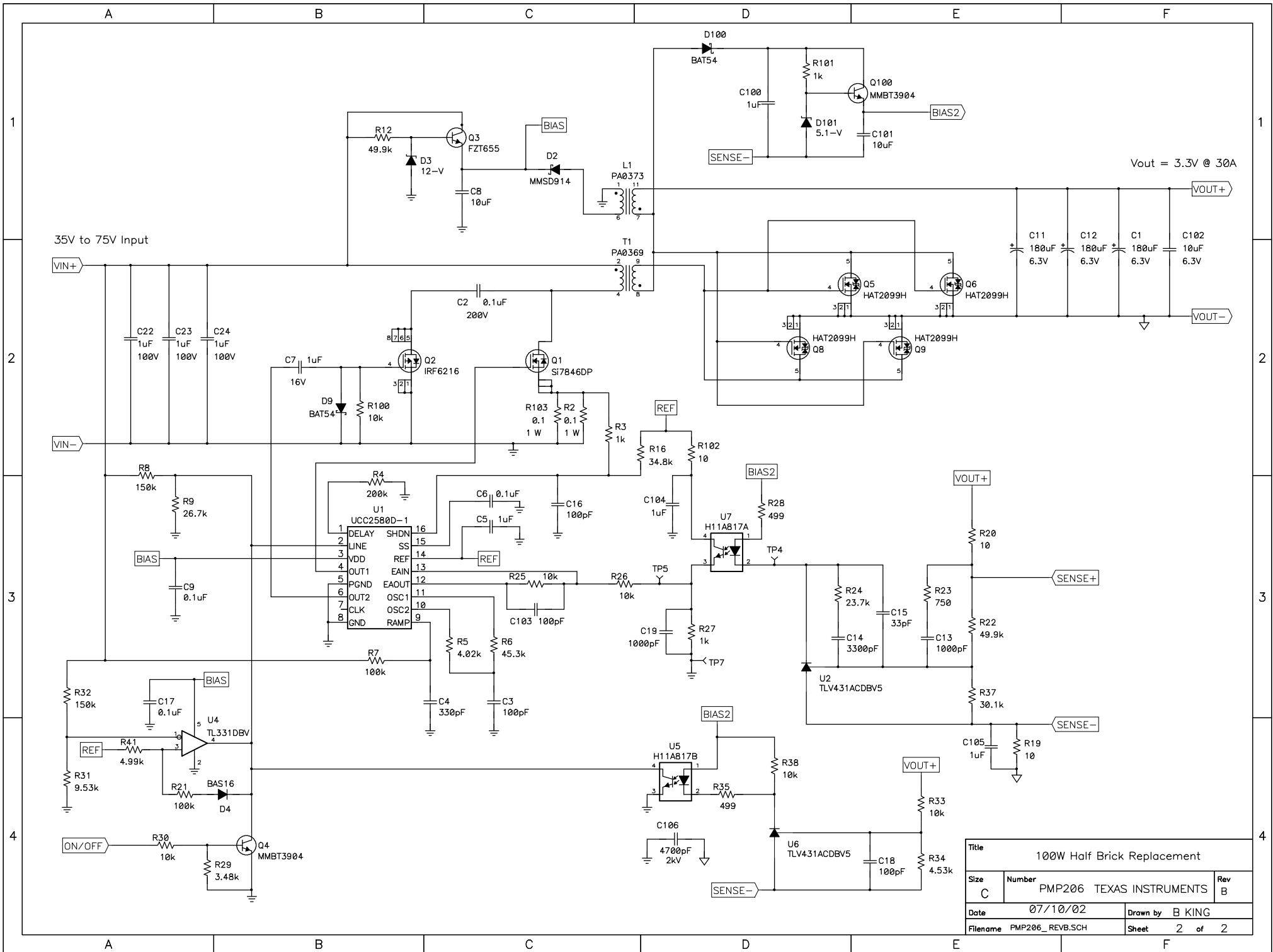


Changes from rev A :

- 1) Adjust Primary Side Bias :
 - > Change D2 to MMSD914
- 2) Fix oscillator glitch :
 - > Change R5 to 4.02k
 - > Change R6 to 45.3k
 - > Change R4 to 200k
- 3) Fix P-channel Drive :
 - > Change C7 to 1uF
 - > Change D9 to BAT54
 - > Add R100
- 4) Provide Secondary Side Bias
 - > Delete R36, TP1
 - > Change R28 to 499 Ohms
 - > Add C100, C101, C105, D100, D101, Q100, and R101
- 5) Change Output Capacitors
 - > Change C1, C11, and C12 to Panasonic EEFUE0J181R
 - > Add C102
- 6) Adjust Compensation
 - > Delete R39, and TP3
 - > Change C13 to 1000pF
 - > Change C15 to 33pF
 - > Change C19 to 1000pF
 - > Change R19 and R20 to 10 Ohms
 - > Change R22 to 49.9k
 - > Change R23 to 750 Ohms
 - > Change R24 to 23.7k
 - > Change R37 to 30.1k
 - > Add C103, C104, and R102
- 7) Change Active Clamp
 - > Change C2 to 0.1uF, 200V
- 8) Adjust Output-Overvoltage
 - > Change R34 to 4.53k
- 9) Add Cap Between Primary and Secondary
 - > Add C106
- 10) Remove Gate Drive Resistors
 - > Delete R10, R11, R13, R14, R15, and R17
- 11) Spread Heat in Current Sense
 - > Change R2 to 0.1 Ohms
 - > Add R103
- 12) Protect Primary Bias from Fault Condition
 - > Change Q3 to FZT655

Title			100W Half Brick Replacement		
Size	Number			Rev	
C	PMP206 TEXAS INSTRUMENTS				B
Date	07/10/02		Drawn by	B KING	
Filename	PMP206_REVB.SCH		Sheet	1 of 2	



Title			
100W Half Brick Replacement			
Size	Number	Rev	
C	PMP206 TEXAS INSTRUMENTS	B	
Date	07/10/02	Drawn by	B KING
Filename	PMP206_REV.B.SCH	Sheet	2 of 2

IMPORTANT NOTICE

Texas Instruments Incorporated and its subsidiaries (TI) reserve the right to make corrections, modifications, enhancements, improvements, and other changes to its products and services at any time and to discontinue any product or service without notice. Customers should obtain the latest relevant information before placing orders and should verify that such information is current and complete. All products are sold subject to TI's terms and conditions of sale supplied at the time of order acknowledgment.

TI warrants performance of its hardware products to the specifications applicable at the time of sale in accordance with TI's standard warranty. Testing and other quality control techniques are used to the extent TI deems necessary to support this warranty. Except where mandated by government requirements, testing of all parameters of each product is not necessarily performed.

TI assumes no liability for applications assistance or customer product design. Customers are responsible for their products and applications using TI components. To minimize the risks associated with customer products and applications, customers should provide adequate design and operating safeguards.

TI does not warrant or represent that any license, either express or implied, is granted under any TI patent right, copyright, mask work right, or other TI intellectual property right relating to any combination, machine, or process in which TI products or services are used. Information published by TI regarding third-party products or services does not constitute a license from TI to use such products or services or a warranty or endorsement thereof. Use of such information may require a license from a third party under the patents or other intellectual property of the third party, or a license from TI under the patents or other intellectual property of TI.

Reproduction of information in TI data books or data sheets is permissible only if reproduction is without alteration and is accompanied by all associated warranties, conditions, limitations, and notices. Reproduction of this information with alteration is an unfair and deceptive business practice. TI is not responsible or liable for such altered documentation.

Resale of TI products or services with statements different from or beyond the parameters stated by TI for that product or service voids all express and any implied warranties for the associated TI product or service and is an unfair and deceptive business practice. TI is not responsible or liable for any such statements.

Following are URLs where you can obtain information on other Texas Instruments products and application solutions:

Products		Applications	
Amplifiers	amplifier.ti.com	Audio	www.ti.com/audio
Data Converters	dataconverter.ti.com	Automotive	www.ti.com/automotive
DSP	dsp.ti.com	Broadband	www.ti.com/broadband
Interface	interface.ti.com	Digital Control	www.ti.com/digitalcontrol
Logic	logic.ti.com	Military	www.ti.com/military
Power Mgmt	power.ti.com	Optical Networking	www.ti.com/opticalnetwork
Microcontrollers	microcontroller.ti.com	Security	www.ti.com/security
		Telephony	www.ti.com/telephony
		Video & Imaging	www.ti.com/video
		Wireless	www.ti.com/wireless

Mailing Address: Texas Instruments
Post Office Box 655303 Dallas, Texas 75265

Copyright © 2003, Texas Instruments Incorporated