

8

7

6

5

4

3

DWG NO 2509058 SH 2

1

D

D

C

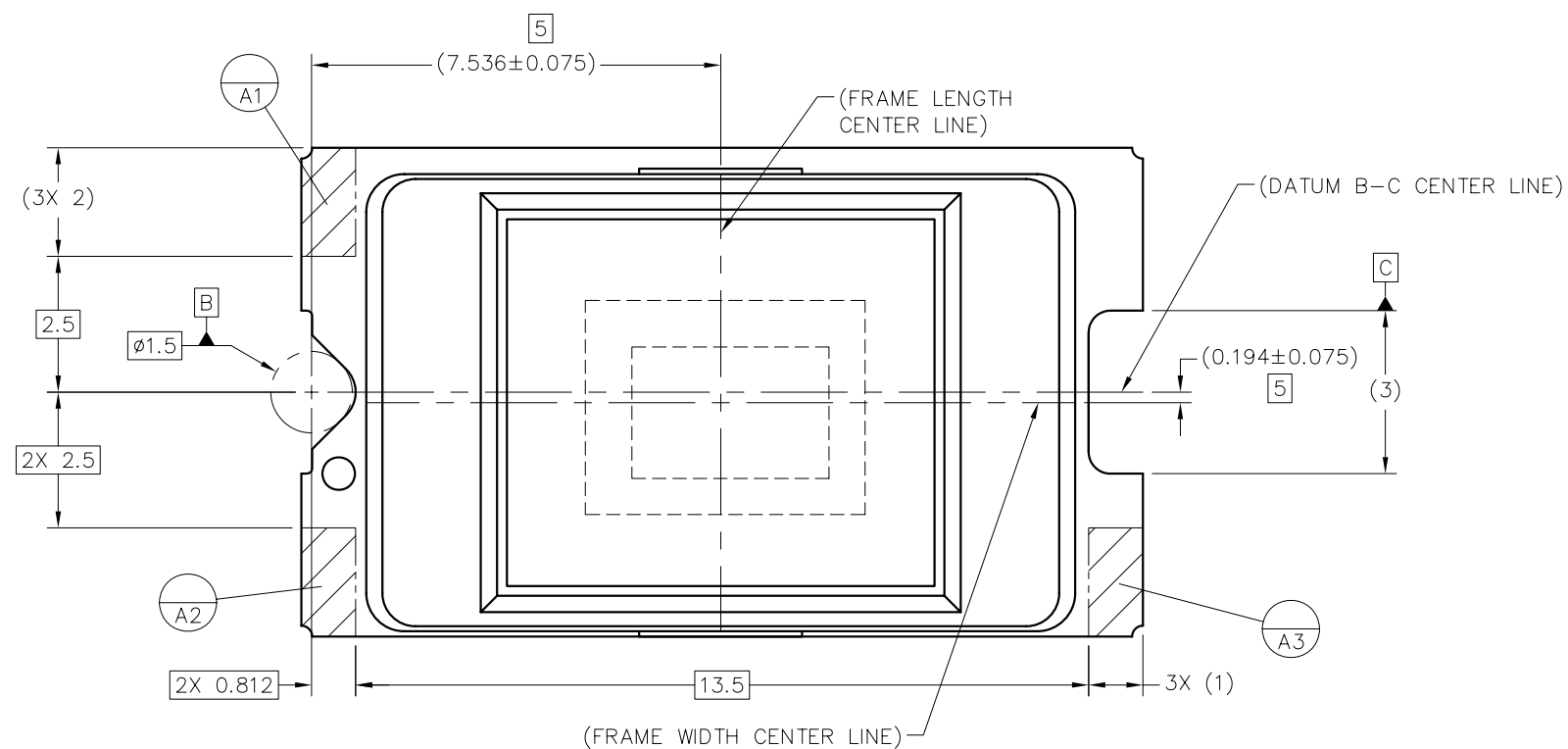
C

B

B

A

A



VIEW A
 DATUMS A, B, AND C
 (FROM SHEET 1)

8

7

6

5

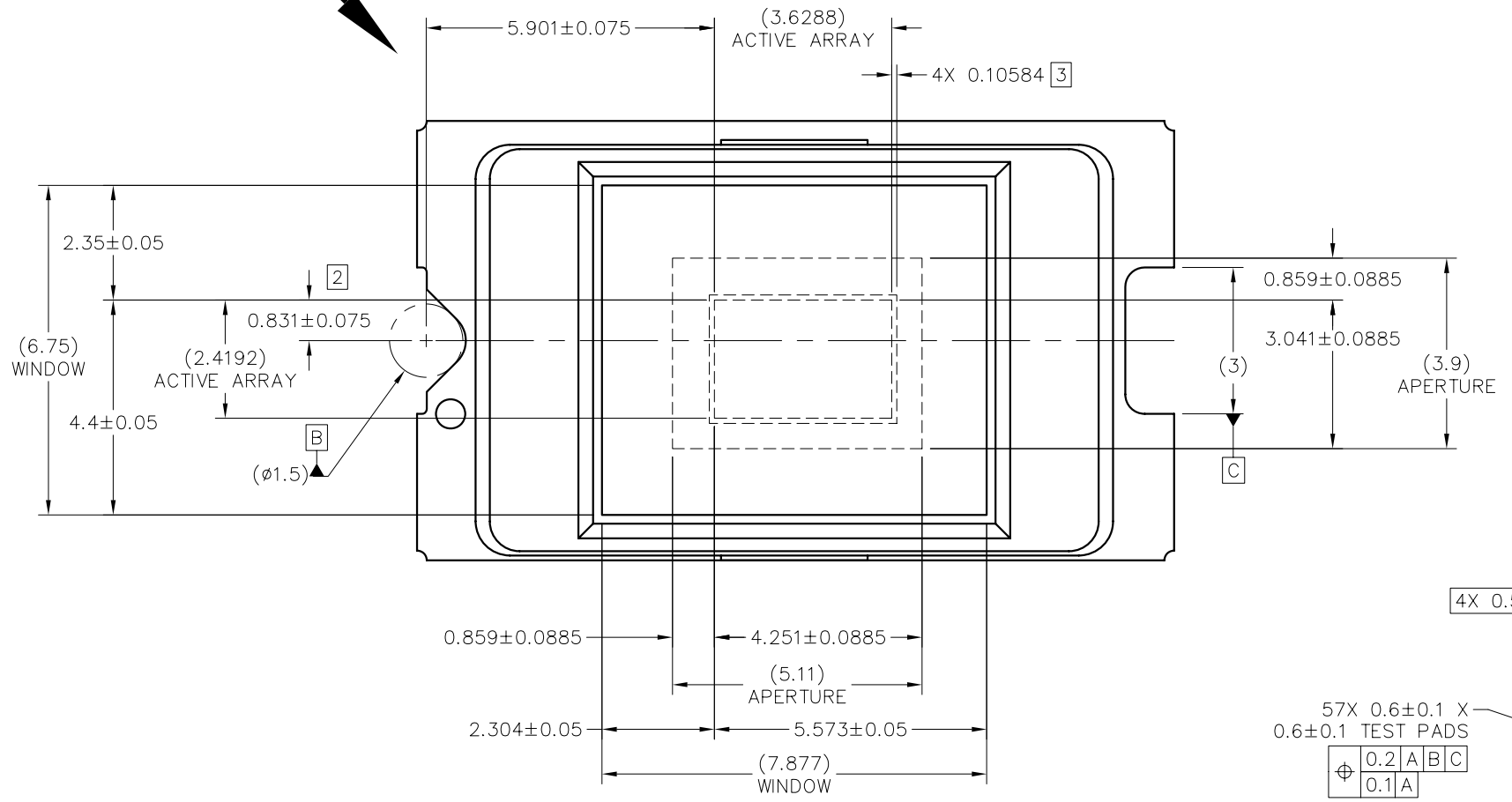
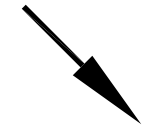
4

3

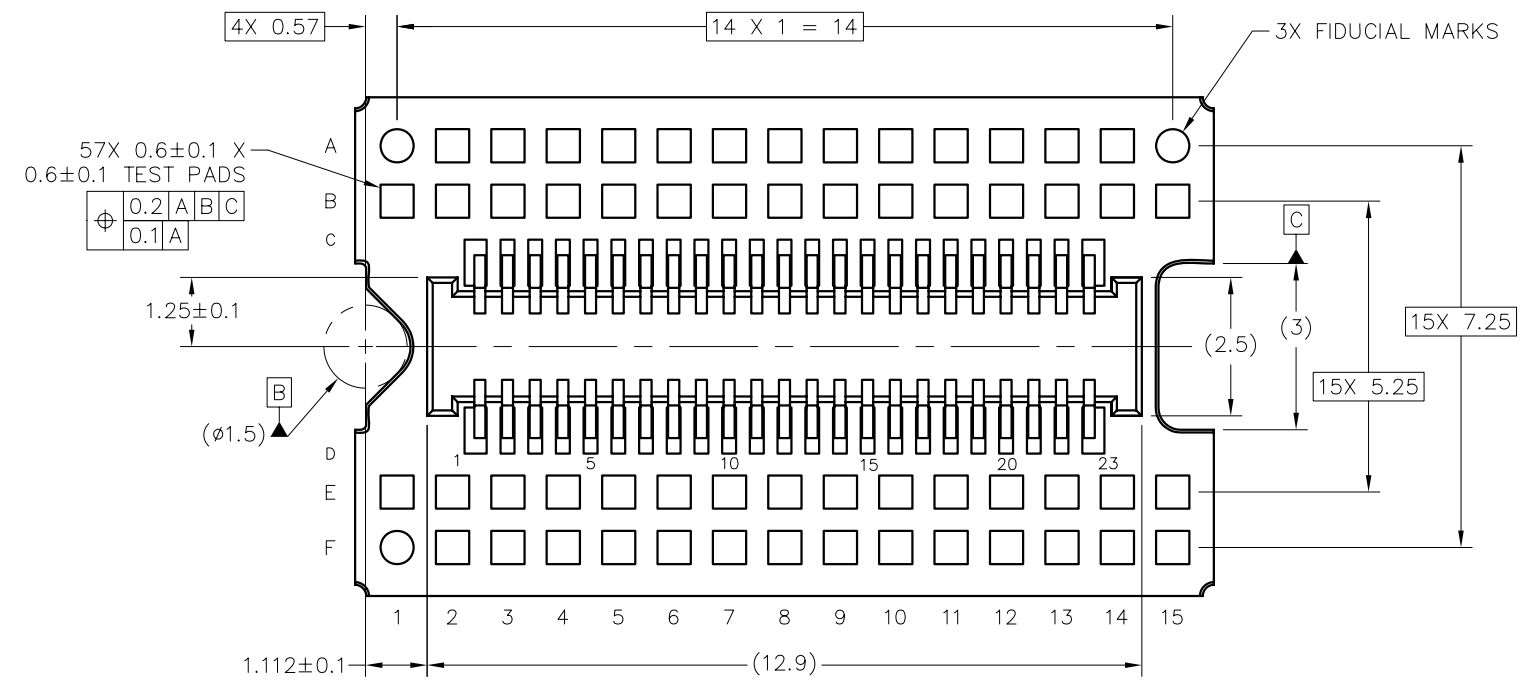
2

1

ILLUMINATION DIRECTION



VIEW B
WINDOW AND ACTIVE ARRAY
(FROM SHEET 1)



VIEW C-C
TEST PADS AND CONNECTOR
(FROM SHEET 1)